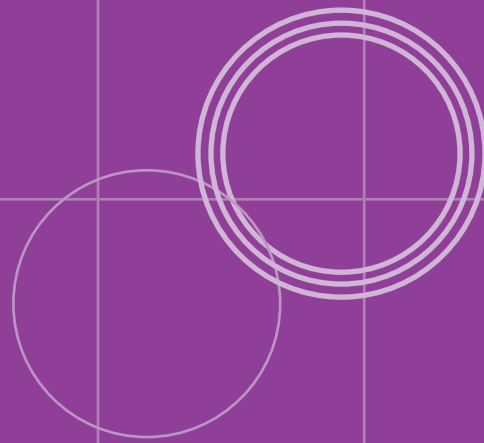


# Butt Weld Fittings



# Butt Fusion Equipment

## CHECKLIST

---

### Butt Fusion - What do I Need?

A basic butt fusion kit for jointing 63 - 250mm polyethylene pipes should include:

- Butt Fusion Machine
- 250 Gator - Automatic
- 250 Welder - Manual
- Pipe cutter - 225mm guillotine
- Pipe support rollers - 250mm roller
- Welding tent/shelter and ground sheet
- Generator 3kVA

For details of tents and shelters please contact your nearest distributor.

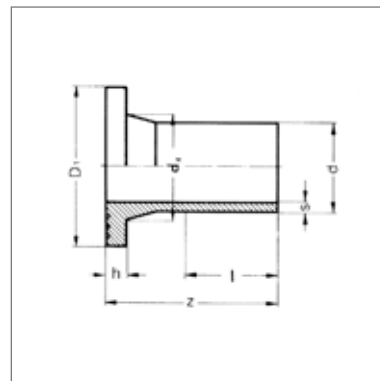
Depending on your specific requirements, you may also need:

- External / Internal de-beading tool
- Data transfer options
- Pipe end covers
- Indelible marker pen for marking beads

# Butt Weld Fittings

## PE-100 / SDR 11 - LONG TYPE: STUB FLANGE

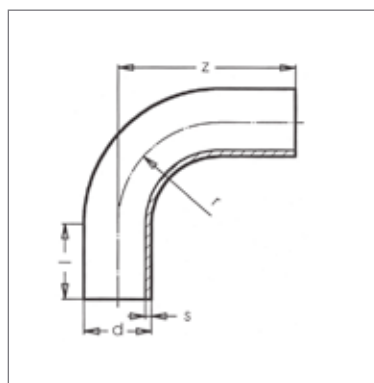
Fitting Code	d (mm)	s (mm)	h (mm)	D <sub>1</sub> (mm)	d <sub>4</sub> (mm)	z (mm)	l (mm)
258001103025	25	2.3	9.0	58	33	90	51
258001103032	32	3.0	10.5	68	40	95	57
258001103040	40	3.7	11.6	78	50	100	55
258001103050	50	4.6	12.0	88	61	110	63
258001103063	63	5.8	14.5	102	75	120	66
258001103075	75	6.8	16.5	122	89	130	78
258001103090	90	8.2	17.5	138	105	145	84
258001103110	110	10.0	18.5	158	125	155	100
258001103125	125	11.4	26.0	158	132	170	108
258001103140	140	12.7	25.0	188	155	175	109
258001103160	160	14.6	25.0	212	175	185	110
258001103180	180	16.4	31.0	212	180	195	115
258001103200	200	18.2	32.0	268	232	205	127
258001103225	225	20.5	32.5	268	235	215	137
258001103250	250	22.7	35.0	320	285	235	146
258001103280	280	25.4	35.0	320	291	245	156
258001103315	315	28.6	35.0	370	335	260	165
258001103355	355	32.2	40.0	430	373	280	172
258001103400	400	36.3	45.0	482	427	310	192



# Butt Weld Fittings

## PE-100 / SDR 11 - LONG TYPE: ELONGATED BENDS 90°

Fitting Code	d (mm)	s (mm)	l (mm)	r (mm)	z (mm)
259001103090	90	8.2	100	135	235
259001103110	110	10.0	150	165	315
259001103125	125	11.4	150	188	338
259001103140	140	12.7	150	210	360
259001103160	160	14.6	180	240	420
259001103180	180	16.4	180	270	450
259001103200	200	18.2	200	300	500
259001103225	225	20.5	200	338	538
259001103250	250	22.7	220	375	595
259001103280	280	25.4	220	420	640
259001103315	315	28.6	250	473	723
259001103355	355	32.2	250	533	783
259001103400	400	36.3	250	600	850
259001103450	450	40.9	300	900	1200
259001103500	500	45.5	300	1000	1300



# Butt Weld Fittings

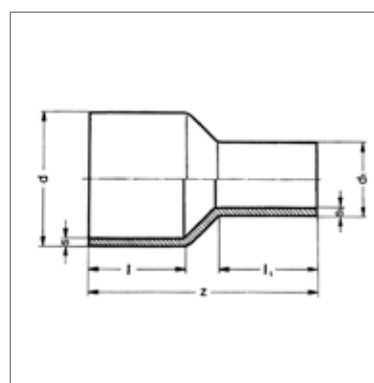
## PE-100 / SDR 11 - LONG TYPE: REDUCER

Fitting Code	d - d <sub>1</sub> (mm)	s (mm)	s <sub>1</sub> (m·m)	z (mm)	l (mm)	l <sub>1</sub> (mm)
25910310332X25	32 - 25	3.0	2.3	89	44	37
25910310340X20	40 - 20	3.7	1.9	94	45	36
25910310340X25	40 - 25	3.7	2.3	96	47	35
25910310340X32	40 - 32	3.7	2.9	93	50	39
25910310350X25	50 - 25	4.6	2.3	136	62	48
25910310350X32	50 - 32	4.6	2.9	134	61	50
25910310350X40	50 - 40	4.6	3.7	134	61	56
25910310363X32	63 - 32	5.8	2.9	150	69	50
25910310363X40	63 - 40	5.8	3.7	152	69	55
25910310363X50	63 - 50	5.8	4.6	151	69	60
25910310375X50	75 - 50	6.8	4.6	140	63	47
25910310375X63	75 - 63	6.8	5.8	140	62	44
25910310390X50	90 - 50	8.2	6.8	142	64	49
25910310390X63	90 - 63	8.2	5.8	144	69	55
25910310390X75	90 - 75	8.2	6.8	176	79	71
259103103110X63	110 - 63	10.0	5.8	210	95	69
259103103110X75	110 - 75	10.0	6.8	210	95	76
259103103110X90	110 - 90	10.0	8.2	210	95	85
259103103125X63	125 - 63	11.4	5.8	225	100	69
259103103125X75	125 - 75	11.4	6.8	225	100	76
259103103125X90	125 - 90	11.4	8.2	225	100	79
259103103125X110	125 - 110	11.4	10.0	225	100	85
259103103140X75	140 - 75	12.7	11.4	245	102	76
259103103140X90	140 - 90	12.7	8.2	245	104	88
259103103140X110	140 - 110	12.7	10.0	245	104	94
259103103140X125	140 - 125	12.7	11.4	245	104	100
259103103160X90	160 - 90	14.6	12.7	255	110	87
259103103160X110	160 - 110	14.6	11.4	260	110	93
259103103160X125	160 - 125	14.6	14.6	266	113	95
259103103160X140	160 - 140	14.6	11.4	278	113	107
259103103180X125	180 - 125	16.4	14.6	277	116	103
259103103180X160	180 - 160	16.4	10.0	283	115	114
259103103200X125	200 - 125	18.2	14.6	303	123	103
259103103200X160	200 - 160	18.2	16.4	312	142	117
259103103225X110	225 - 110	20.5	14.6	312	130	94

# Butt Weld Fittings

## PE-100 / SDR 11 - LONG TYPE: REDUCER

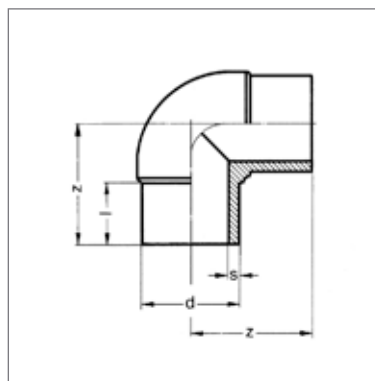
Fitting Code	$d - d_1$ (mm)	$s$ (mm)	$s_1$ (mm)	$z$ (mm)	$l$ (mm)	$l_1$ (mm)
259103103225X160	225 - 160	20.5	16.4	312	130	109
259103103225X180	225 - 180	20.5	18.2	310	130	111
259103103250X160	250 - 160	22.7	20.5	339	138	111
259103103250X180	250 - 180	22.7	16.4	338	137	123
259103103250X200	250 - 200	22.7	18.2	337	137	127
259103103250X225	250 - 225	22.7	20.5	337	137	137
259103103280X180	280 - 180	25.4	22.7	350	146	119
259103103280X200	280 - 200	25.4	18.2	350	146	124
259103103280X225	280 - 225	25.4	20.5	350	146	129
259103103280X250	280 - 250	25.4	22.7	350	146	134
259103103315X225	315 - 225	28.6	20.5	350	157	133
259103103315X250	315 - 250	28.6	22.7	380	157	138
259103103315X280	315 - 280	28.6	25.4	380	157	148
259103103355X250	355 - 250	32.2	22.7	415	172	143
259103103355X280	355 - 280	32.2	25.4	415	172	148
259103103355X315	355 - 315	32.2	28.6	415	172	158
259103103400X280	400 - 280	36.3	25.4	450	187	153
259103103400X315	400 - 315	36.3	28.6	450	187	158
259103103400X355	400 - 355	36.3	32.2	450	187	168



# Butt Weld Fittings

## PE-100 / SDR 11 - LONG TYPE: ELBOW 90°

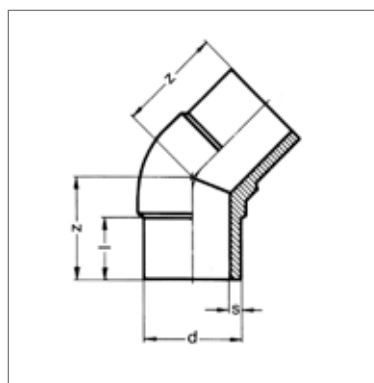
Fitting Code	d (mm)	s (mm)	l (mm)	z (mm)
251001103025	25	2.3	42	63
251001103032	32	3.0	47	72
251001103040	40	3.7	44	69
251001103050	50	4.6	50	77
251001103063	63	5.8	56	95
251001103075	75	6.8	72	116
251001103090	90	8.2	78	139
251001103110	110	10.0	86	158
251001103125	125	11.4	104	180
251001103140	140	12.7	119	198
251001103160	160	14.6	117	210
251001103180	180	16.4	116	222
251001103200	200	18.2	128	250
251001103225	225	20.5	136	269
251001103250	250	22.7	180	307
251001103280	280	25.4	200	340
251001103315	315	28.6	210	370



# Butt Weld Fittings

## PE-100 / SDR 11 - LONG TYPE: ELBOW 45°

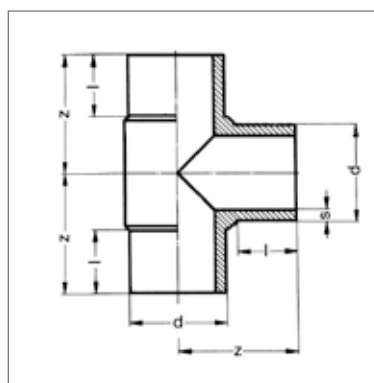
Fitting Code	d (mm)	s (mm)	l (mm)	z (mm)
251501103025	25	2.3	35	41
251501103032	32	3.0	47	48
251501103040	40	3.7	44	58
251501103050	50	4.6	54	74
251501103063	63	5.8	66	78
251501103075	75	6.8	75	96
251501103090	90	8.2	84	120
251501103110	110	10.0	91	129
251501103125	125	11.4	101	147
251501103140	140	12.7	104	153
251501103160	160	14.6	113	169
251501103180	180	16.4	120	186
251501103200	200	18.2	127	201
251501103225	225	20.5	134	218
251501103250	250	22.7	140	230
251501103280	280	25.4	162	232
251501103315	315	28.6	210	320



# Butt Weld Fittings

## PE-100 / SDR 11 - LONG SPIGOT EQUAL TEE

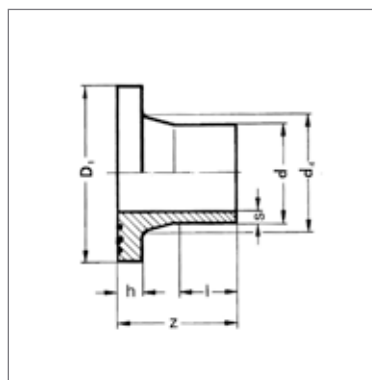
Fitting Code	d (mm)	s (mm)	l (mm)	z (mm)
252001103025	25	2.3	41	62
252001103032	32	3.0	51	75
252001103040	40	3.7	55	82
252001103050	50	4.6	51	83
252001103063	63	5.8	70	114
252001103075	75	6.8	73	120
252001103090	90	8.2	86	153
252001103110	110	10.0	95	168
252001103125	125	11.4	100	179
252001103140	140	12.7	105	193
252001103160	160	14.6	124	225
252001103180	180	16.4	119	233
252001103200	200	18.2	127	251
252001103225	225	20.5	138	272
252001103250	250	22.7	148	314
252001103280	280	25.4	160	346
252001103315	315	28.6	170	380
252001103355	355	32.2	165	440
252001103400	400	36.3	195	458



# Butt Weld Fittings

## PE-100 / SDR 11 - SHORT TYPE: STUB FLANGE

Fitting Code	d (mm)	s (mm)	D <sub>1</sub> (mm)	d <sub>4</sub> (mm)	h (mm)	z (mm)	l min
258001101025	25	2.3	58	33	9	35	18
258001101032	32	3.0	68	40	10	35	18
258001101040	40	3.7	78	50	11	40	18
258001101050	50	4.6	88	61	12	60	18
258001101063	63	5.8	102	75	14	75	18
258001101075	75	6.8	122	89	16	80	28
258001101090	90	8.2	138	105	17	90	29
258001101110	110	10.0	158	125	18	100	41
258001101125	125	11.4	158	132	25	110	48
258001101140	140	12.7	188	155	25	120	54
258001101160	160	14.6	212	175	25	130	55
258001101180	180	16.4	212	180	30	140	60
258001101200	200	18.2	268	232	32	145	67
258001101225	225	20.5	268	235	32	150	72
258001101250	250	22.7	320	285	35	160	77
258001101280	280	25.4	320	291	35	170	81
258001101315	315	28.6	370	335	35	190	95
258001101355	355	32.2	430	373	40	205	30
258001101400	400	36.3	482	427	46	220	42
258001101450	450	40.9	585	514	60	120	14
258001101500	500	45.4	585	530	60	120	24
258001101560	560	50.8	685	615	60	120	10
258001101630	630	57.2	685	642	60	120	30



# Butt Weld Fittings

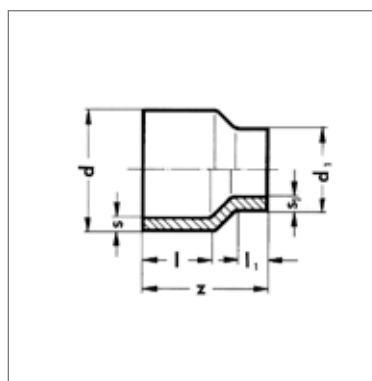
## PE-100 / SDR 11 - SHORT TYPE: REDUCER

Fitting Code	d - d <sub>1</sub> (mm)	s (mm)	s <sub>1</sub> (mm)	z (mm)	l (mm)	l <sub>1</sub> (mm)
25910310132X25	32 - 25	3.0	2.3	38	16	14
25910310140X25	40 - 25	3.7	2.3	47	19	14
25910310140X32	40 - 32	3.7	3.0	39	19	15
25910310150X25	50 - 25	4.6	2.3	53	19	17
25910310150X32	50 - 32	4.6	3.0	44	18	14
25910310150X40	50 - 40	4.6	3.7	46	20	19
25910310163X32	63 - 32	5.8	3.0	63	23	22
25910310163X40	63 - 40	5.8	3.7	58	24	18
25910310163X50	63 - 50	5.8	4.6	54	25	20
25910310175X40	75 - 40	6.9	3.7	70	29	22
25910310175X50	75 - 50	6.9	4.6	71	28	23
25910310175X63	75 - 63	6.9	5.8	70	29	31
25910310190X50	90 - 50	8.2	4.6	73	26	22
25910310190X63	90 - 63	8.2	5.8	71	29	24
25910310190X75	90 - 75	8.2	6.9	80	33	33
259103101110X50	110 - 50	10.0	4.6	90	33	29
259103101110X63	110 - 63	10.0	5.8	91	42	23
259103101110X75	110 - 75	10.0	6.9	90	34	35
259103101110X90	110 - 90	10.0	8.2	88	40	28
259103101125X63	125 - 63	11.4	5.8	100	40	34
259103101125X75	125 - 75	11.4	6.9	103	48	31
259103101125X90	125 - 90	11.4	8.2	100	38	30
259103101125X110	125 - 110	11.4	5.8	100	40	48
259103101140X75	140 - 75	12.7	6.9	110	49	37
259103101140X90	140 - 90	12.7	8.2	126	45	28
259103101140X110	140 - 110	12.7	10.0	126	45	34
259103101140X125	140 - 125	12.7	6.9	128	45	42
259103101160X90	160 - 90	14.6	8.2	160	53	37
259103101160X110	160 - 110	14.6	10.0	125	50	39
259103101160X125	160 - 125	14.6	11.4	120	54	45
259103101160X140	160 - 140	14.6	8.2	98	44	43
259103101180X90	180 - 90	16.4	10.0	130	59	37
259103101180X110	180 - 110	16.4	11.4	130	60	40
259103101180X125	180 - 125	16.4	12.7	152	62	42
259103101180X160	180 - 160	16.4	14.6	131	60	55
259103101200X125	200 - 125	18.2	11.4	160	60	45
259103101200X140	200 - 140	18.2	12.7	140	60	48
259103101200X160	200 - 160	18.2	14.6	140	60	54

# Butt Weld Fittings

## PE-100 / SDR 11 - SHORT TYPE: REDUCER

Fitting Code	$d - d_1$ (mm)	$s$ (mm)	$s_1$ (mm)	$z$ (mm)	$l$ (mm)	$l_1$ (mm)
259103101200X180	200 - 180	18.2	16.4	140	60	61
259103101225X110	225 - 110	20.5	10.0	190	68	37
259103101225X140	225 - 140	20.5	12.7	160	65	57
259103101225X160	225 - 160	20.5	14.8	190	65	50
259103101225X180	225 - 180	20.5	16.4	190	65	55
259103101225X200	225 - 200	20.5	18.2	160	71	71
259103101250X160	250 - 160	22.8	14.6	210	70	50
259103101250X180	250 - 180	22.8	16.4	200	70	55
259103101250X200	250 - 200	22.8	18.2	200	70	60
259103101250X225	250 - 225	22.8	20.5	200	70	65
259103101280X200	280 - 200	25.4	18.2	220	80	60
259103101280X225	280 - 225	25.4	20.5	220	80	65
259103101280X250	280 - 250	25.4	22.7	220	80	70
259103101315X200	315 - 200	28.6	18.2	230	95	85
259103101315X225	315 - 225	28.6	20.5	245	90	65
259103101315X250	315 - 250	28.6	22.7	245	90	70
259103101315X280	315 - 280	28.6	25.5	245	90	80
259103101355X225	355 - 225	32.2	20.5	140	57	40
259103101355X250	355 - 250	32.2	22.7	265	95	70
259103101355X280	355 - 280	32.2	25.4	270	95	80
259103101255X315	255 - 315	32.2	28.6	270	95	90
259103101400X280	400 - 280	36.3	25.4	295	105	80
259103101400X315	400 - 315	36.3	28.6	300	105	90
259103101400X355	400 - 355	36.3	32.2	295	105	95
259103101450X400	450 - 400	41.0	36.4	120	60	40
259103101500X450	500 - 450	45.5	41.0	120	60	40
259103101560X500	560 - 500	51.0	45.5	130	67	40
259103101630X500	630 - 500	57.3	45.5	150	67	40
259103101630X560	630 - 560	57.3	51.0	130	64	40



# Butt Weld Fittings

## PE-100 / SDR 11 - END CAP

Fitting Code	d (mm)	s (mm)	L (mm)	l (mm)
259601103025	25	2.3	52	46
259601103032	32	3.0	57	48
259601103040	40	3.7	68	56
259601103050	50	4.6	74	58
259601103063	63	5.8	79	66
259601103075	75	6.8	79	67
259601103090	90	8.2	93	73
259601103110	110	10.0	105	80
259601103125	125	11.4	124	95
259601103140	140	12.7	140	110
259601103160	160	14.6	152	121
259601103180	180	16.4	169	134
259601103200	200	18.2	184	140
259601103225	225	20.5	200	160
259601103250	250	22.7	230	152
259601103280	280	25.4	247	162
259601103315	315	28.6	262	167
259601103355	355	32.2	292	
259601103400	400	36.3	310	

