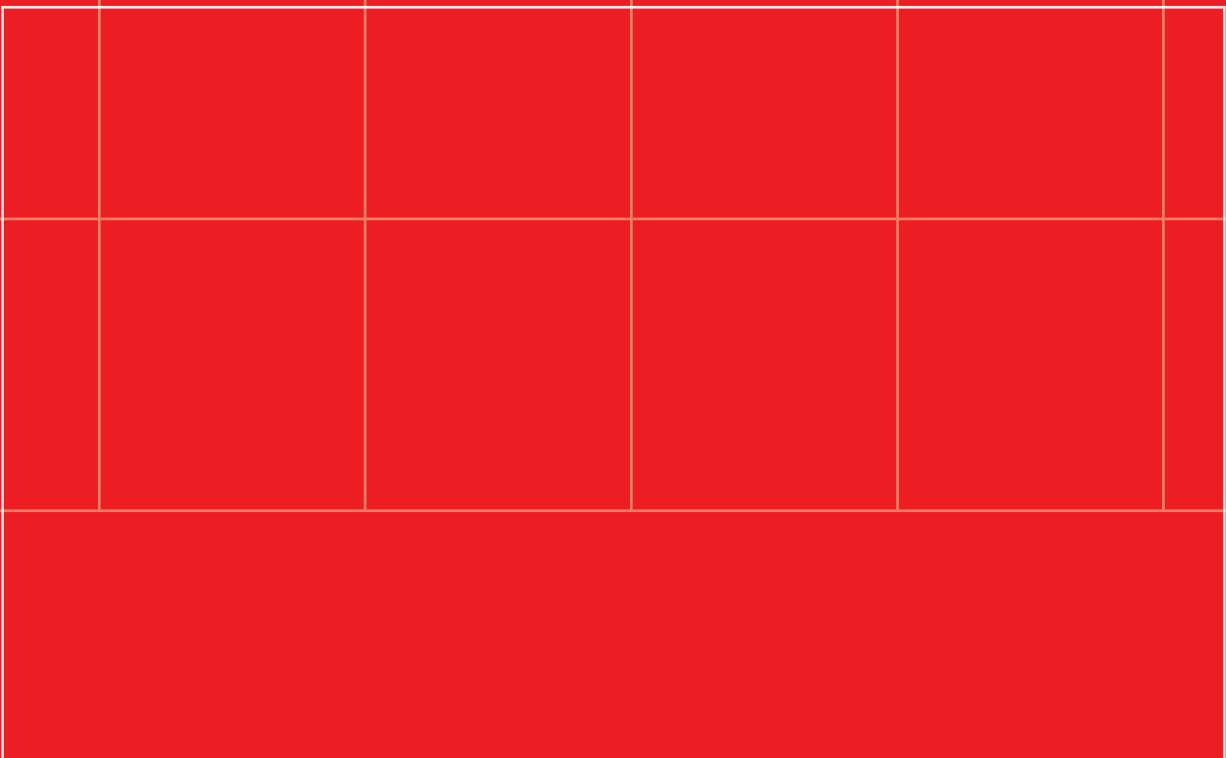
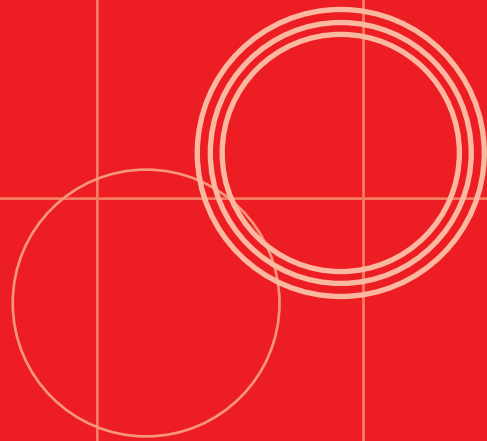


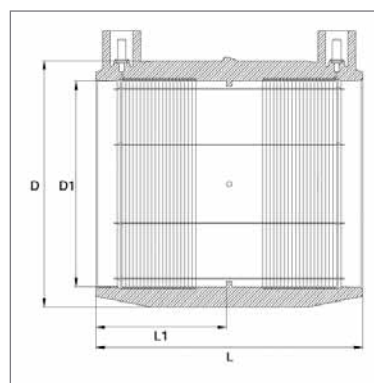
Electro Fusion Fittings



Electro Fusion Fittings

PE-100 PN 16 - COUPLER

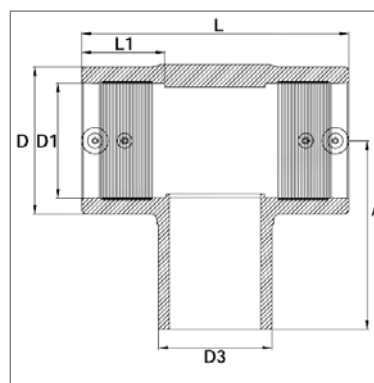
Fitting Code	Fitting Size (mm)	L (mm)	L1 (mm)	D (mm)	D1 (mm)	Fusion (secs)	Cooling (mins)	Weight (kgs)	Box (no.)
CBKHA20	20	77	37.5	29.0	20	25	3	0.033	75
CBKHA25	25	77	37.5	33.5	25	30	3	0.037	75
CBKHA32	32	77	37.5	43.0	32	45	3	0.057	75
CBKHA40	40	90	44.0	51.5	40	40	5	0.080	50
CBKHA50	50	91	44.0	61.5	50	80	5	0.096	40
CBKHA63	63	102	49.0	77.0	63	35	3	0.148	25
CBKHA75	75	125	61.0	100.0	75	50	5	0.403	45
CBKHA90	90	122	60.0	110.0	90	90	10	0.333	30
CBKHA110	110	144	70.0	133.0	110	160	10	0.520	10
CBKHA125	125	154	75.0	151.0	125	200	10	0.740	12
CBKHA140	140	181	89.0	176.0	140	200	10	1.450	4
CBKHA160	160	175	86.0	195.0	160	300	20	1.409	4
CBKHA180	180	185	91.0	220.0	180	360	20	1.906	4
CBKHA200	200	186	92.0	243.0	200	440	20	2.301	4
CBKHA225	225	222	109.0	279.0	225	600	30	4.150	2
CBKHA250	250	220	108.0	301.0	250	600	30	4.280	2
CBKHA280	280	260	127.0	345.0	280	600	30	8.320	1
CBKHA315	315	261	128.0	386.0	315	900	30	10.100	1
CBKHA355	355	260	126.0	437.0	355	900	30	12.300	1



Electro Fusion Fittings

PE-100 PN 16 - EQUAL TEE

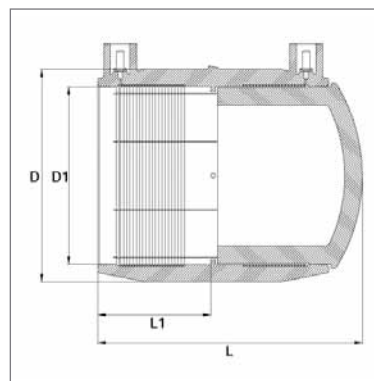
Fitting Code	Fitting Size (mm)	L (mm)	L1 (mm)	D (mm)	D1 (mm)	D3 (mm)	A (mm)	Fusion (secs)	Cooling (mins)	Weight (kgs)	Box (no.)
ETBKHA20	20 x 20 x 20	98	35	44	20	20	78	50	3	0.130	50
ETBKHA25	25 x 25 x 22	98	35	44	25	25	78	50	3	0.120	50
ETBKHA32	32 x 32 x 32	98	35	44	32	32	78	50	3	0.100	50
ETBKHA40	40 x 40 x 40	144	49	67	40	40	102	80	5	0.379	15
ETBKHA50	50 x 50 x 50	144	49	67	50	50	101	120	10	0.300	25
ETBKHA63	63 x 63 x 63	174	61	82	63	63	114	80	5	0.462	20
ETBKHA75	75 x 75 x 75	174	60	97	75	75	126	120	10	0.597	10
ETBKHA90	90 x 90 x 90	210	65	118	90	90	143	120	10	1.120	5
ETBKHA110	110 x110 x110	268	88	156	110	110	177	200	10	2.990	4
ETBKHA125	125 x125 x125	268	79	156	125	125	177	220	10	2.250	4
ETBKHA160	160 x160 x160	372	112	217	160	160	231	200	10	6.780	1
ETBKHA180	180 x180 x180	372	105	217	180	180	231	200	20	5.300	1



Electro Fusion Fittings

PE-100 PN 16 - END CAP

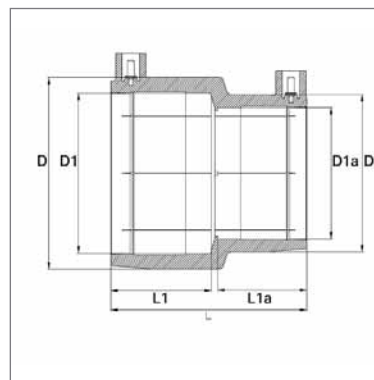
Fitting Code	Fitting Size (mm)	L (mm)	L1 (mm)	D (mm)	D1 (mm)	Fusion (secs)	Cooling (mins)	Weight (kgs)	Box (no.)
ECBKHA20	20	82	37.5	29.0	20	25	3	0.041	75
ECBKHA25	25	82	37.5	33.5	25	30	3	0.048	75
ECBKHA32	32	84	37.5	46.0	32	45	3	0.073	75
ECBKHA40	40	97	44.0	51.5	40	40	5	0.102	50
ECBKHA50	50	101	44.0	61.5	50	80	5	0.150	40
ECBKHA63	63	115	49.0	77.0	63	35	5	0.226	20
ECBKHA75	75	125	61.0	100.0	75	50	5	0.553	25
ECBKHA90	90	138	60.0	110.0	90	90	10	0.521	25
ECBKHA110	110	164	70.0	133.0	110	200	10	0.970	18
ECBKHA125	125	175	75.0	151.0	125	220	10	1.240	10
ECBKHA140	140	236	89.0	176.0	140	200	10	2.250	6
ECBKHA160	160	202	85.0	196.0	160	300	20	2.210	4
ECBKHA180	180	214	91.0	220.0	180	360	20	2.320	4
ECBKHA200	200	215	108.0	243.0	200	500	30	4.200	2
ECBKHA225	225	222	109.0	276.0	225	600	30	7.000	2
ECBKHA250	250	220	108.0	301.0	250	600	30	8.100	2



Electro Fusion Fittings

PE-100 PN 16 - REDUCER

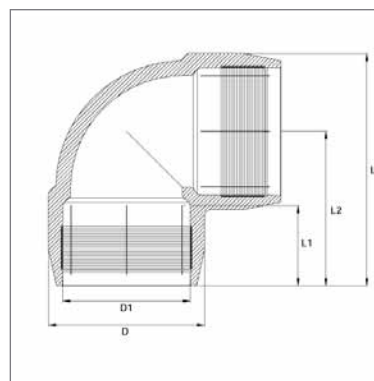
Fitting Code	Fitting Size (mm)	L (mm)	L1 (mm)	D (mm)	D1 (mm)	L1a (mm)	Da (mm)	Da1 (mm)	Fusion (secs)	Cooling (mins)	Weight (kgs)	Box (no.)
RBKHA25X20	25 x 20	77.0	38.5	34.0	25	36.5	29	20.0	35	3	0.035	25/75
RBKHA32X20	32 x 20	77.0	38.5	43.0	32	36.5	29	20.0	35	3	0.048	20/75
RBKHA32X25	32 x 25	77.0	38.5	43.0	32	36.5	34	25.0	30	3	0.052	20/75
RBKHA40X32	40 x 32	84.0	41.0	52.0	40	41.0	43	32.0	50	5	0.104	50
RBKHA50X32	50 x 32	91.0	46.5	61.5	50	41.0	32	43.3	60	5	0.087	40
RBKHA50X40	50 x 40	91.0	46.5	61.5	50	41.5	40	51.6	60	5	0.920	40
RBKHA63X32	63 x 32	102.0	52.0	77.0	63	41.0	32	43.3	90	5	0.980	25
RBKHA63X40	63 x 40	102.0	52.3	77.0	63	43.0	40	51.6	70	5	0.103	30
RBKHA63X50	63 x 50	102.0	52.0	77.0	63	45.5	50	61.5	120	10	0.138	25
RBKHA90X63	90 x 63	122.5	62.0	109.5	90	53.0	63	77.0	80	5	0.293	35
RBKHA110X90	110 x 90	136.5	70.0	134.0	110	62.0	109	90.0	120	10	0.515	10
RBKHA125X90	125 x 90	181.0	89.0	156.0	125	79.0	116	90.0	90	10	1.000	12
RBKHA180X125	180 x 125	221.0	101.0	216.0	180	83.0	157	125.0	220	10	2.090	4



Electro Fusion Fittings

PE-100 PN 16 - ELBOW 90°

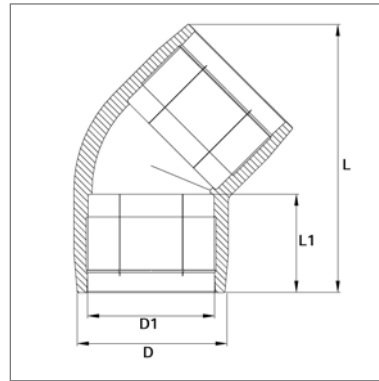
Fitting Code	Fitting Size (mm)	L (mm)	L1 (mm)	L2 (mm)	D (mm)	D1 (mm)	Fusion (secs)	Cooling (mins)	Weight (kgs)	Box (no.)
EBKHA20X90	20 x 90°	82.0	44.0	64.0	20	36.00	30	3	0.141	25
EBKHA25X90	25 x 90°	72.4	37.5	55.4	25	33.85	30	3	0.062	40
EBKHA32X90	32 x 90°	84.0	40.0	62.0	32	44.00	50	3	0.097	25
EBKHA40X90	40 x 90°	116.0	50.0	83.0	40	67.00	80	5	0.340	40
EBKHA50X90	50 x 90°	116.0	50.0	83.0	50	67.00	120	10	0.241	40
EBKHA63X90	63 x 90°	123.3	50.0	84.1	63	78.50	35	5	0.277	30
EBKHA75X90	75 x 90°	150.0	53.0	102.0	75	97.00	120	10	0.528	30
EBKHA90X90	90 x 90°	194.0	77.0	131.0	90	116.00	120	10	1.060	10
EBKHA110X90	110 x 90°	205.0	71.0	135.0	110	137.00	160	15	1.120	6
EBKHA125X90	125 x 90°	228.0	72.0	152.0	125	154.00	200	15	1.570	5
EBKHA160X90	160 x 90°	320.0	104.0	211.0	160	213.00	200	10	5.000	1
EBKHA180X90	180 x 90°	320.0	104.0	211.0	180	213.00	300	20	4.120	1



Electro Fusion Fittings

PE-100 PN 16 - ELBOW 45°

Fitting Code	Fitting Size (mm)	L (mm)	L1 (mm)	D (mm)	D1 (mm)	Fusion (secs)	Cooling (mins)	Weight (kgs)	Box (no.)
EBKHA20X45	32 x 45°	95	39.0	44.0	32	50	3	0.080	60
EBKHA40X45	40 x 45°	108	44.0	56.0	40	60	5	0.125	75
EBKHA45X45	45 x 45°	124	49.0	68.0	50	120	10	0.196	50
EBKHA63X45	63 x 45°	136	50.0	78.5	63	35	5	0.250	20
EBKHA75X45	75 x 45°	165	62.2	97.0	75	120	10	0.427	20
EBKHA90X45	90 x 45°	192	82.0	117.0	90	120	10	0.765	10
EBKHA110X45	110 x 45°	213	75.0	137.0	110	140	10	0.894	10
EBKHA125X45	125 x 45°	240	81.0	154.0	125	140	10	1.220	6
EBKHA160X45	160 x 45°	320	105.0	217.0	160	240	10	4.500	2
EBKHA180X45	180 x 45°	320	105.0	217.0	180	240	20	3.130	2



Electro Fusion Fittings

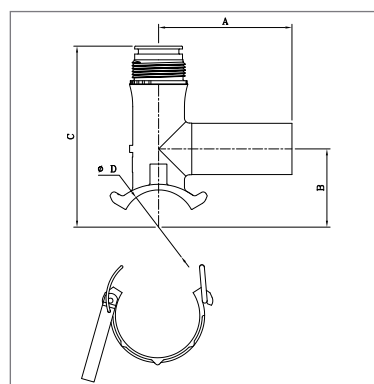
PE-80 PN 16 - MULTISEAL TAPPING TEE U/P

Fitting Code	Fitting Size (mm)	L (mm)	H (mm)	h (mm)	W (mm)	Fusion (secs)	Cooling (mins)	Weight (kgs)	Box (no.)
MTBKHA40X20U	40 x 20	105	110	27	120	40	3	0.250	15
MTBKHA40X25U	40 x 25	105	110	27	120	40	3	0.250	15
MTBKHA40X32U	40 x 32	105	110	27	120	40	3	0.250	15
MTBKHA50X20U	50 x 20	105	110	27	120	40	3	0.260	10
MTBKHA50X25U	50 x 25	105	110	27	120	40	3	0.260	10
MTBKHA50X32U	50 x 32	105	110	27	120	40	3	0.260	10
MTBKHA63X20U	63 x 20	105	119	62	120	70	10	0.600	10
MTBKHA63X25U	63 x 25	105	119	62	120	70	10	0.600	10
MTBKHA63X32U	63 x 32	105	119	62	120	70	10	0.600	10
MTBKHA75X20U	75 x 20	105	110	77	120	80	10	0.646	10
MTBKHA75X25U	75 x 25	105	110	77	120	80	10	0.646	10
MTBKHA75X32U	75 x 32	105	110	77	120	80	10	0.646	10
MTBKHA90X20U	90 x 20	105	110	77	120	80	10	0.646	10
MTBKHA90X25U	90 x 25	105	110	77	120	80	10	0.646	10
MTBKHA90X32U	90 x 32	105	110	77	120	80	10	0.646	10
MTBKHA110X20U	110 x 20	105	117	87	120	80	10	0.682	10
MTBKHA110X25U	110 x 25	105	117	87	120	80	10	0.682	10
MTBKHA110X32U	110 x 32	105	117	87	120	80	10	0.682	10
MTBKHA125X20U	125 x 20	105	117	95	120	80	10	0.670	10
MTBKHA125X25U	125 x 25	105	117	95	120	80	10	0.670	10
MTBKHA125X32U	125 x 32	105	117	95	120	80	10	0.670	10
MTBKHA160X20U	160 x 20	105	122	112	120	100	10	0.690	10
MTBKHA160X25U	160 x 25	105	122	112	120	100	10	0.690	10
MTBKHA160X32U	160 x 32	105	122	112	120	100	10	0.690	10
MTBKHA180X20U	180 x 20	105	122	122	120	100	10	0.680	10
MTBKHA180X25U	180 x 25	105	122	122	120	100	10	0.680	10
MTBKHA180X32U	180 x 32	105	122	122	120	100	10	0.680	10
MTBKHA200X20U	200 x 20	105	122	132	120	100	10	0.730	10
MTBKHA200X25U	200 x 25	105	122	132	120	100	10	0.730	10
MTBKHA200X32U	200 x 32	105	122	132	120	100	10	0.730	10
MTBKHA225X20U	225 x 20	105	122	122	120	100	10	0.780	10
MTBKHA225X25U	225 x 25	105	122	122	120	100	10	0.780	10
MTBKHA225X32U	225 x 32	105	122	122	120	100	10	0.780	10
MTBKHA63X40U	63 x 40	165	155	59.5	146	50	10	0.594	5
MTBKHA63X50U	63 x 50	165	155	59.5	146	50	10	0.594	5
MTBKHA63X63U	63 x 63	165	155	59.5	146	50	10	0.594	5
MTBKHA75X40U	75 x 40	165	152	57.0	146	70	10	0.848	5

Electro Fusion Fittings

PE-80 PN 12.5 - MULTISEAL TAPPING TEE U/P

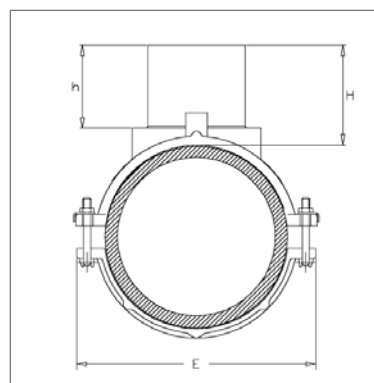
Fitting Code	Fitting Size (mm)	L (mm)	H (mm)	h (mm)	W (mm)	Fusion (secs)	Cooling (mins)	Weight (kgs)	Box (no.)
MTBKHA75X50U	75 x 50	165	152	57.0	146	70	10	0.848	5
MTBKHA75X63U	75 x 63	165	152	57.0	146	70	10	0.848	5
MTBKHA90X40U	90 x 40	165	152	57.0	146	70	10	0.848	5
MTBKHA90X50U	90 x 50	165	152	57.0	146	70	10	0.848	5
MTBKHA90X63U	90 x 63	165	152	57.0	146	70	10	0.848	5
MTBKHA110X40U	110 x 40	165	176	105.0	146	70	10	0.896	5
MTBKHA110X50U	110 x 50	165	176	105.0	146	70	10	0.896	5
MTBKHA110X63U	110 x 63	165	176	105.0	146	70	10	0.896	5
MTBKHA125X40U	125 x 40	165	112	112.0	146	70	10	0.900	5
MTBKHA125X50U	125 x 50	165	112	112.0	146	70	10	0.900	5
MTBKHA125X63U	125 x 63	165	112	112.0	146	70	10	0.900	5
MTBKHA160X40U	160 x 40	165	182	137.0	146	70	10	0.901	5
MTBKHA160X50U	160 x 50	165	182	137.0	146	70	10	0.901	5
MTBKHA160X63U	160 x 63	165	182	137.0	146	70	10	0.901	5
MTBKHA180X40U	180 x 40	165	183	147.0	146	70	10	1.150	5
MTBKHA180X50U	180 x 50	165	183	147.0	146	70	10	1.150	5
MTBKHA180X63U	180 x 63	165	183	147.0	146	70	10	1.150	5
MTBKHA200X40U	200 x 40	165	183	157.0	146	70	10	1.128	5
MTBKHA200X50U	200 x 50	165	183	157.0	146	70	10	1.128	5
MTBKHA200X63U	200 x 63	165	183	157.0	146	70	10	1.128	5
MTBKHA225X40U	225 x 40	165	183	169.0	146	70	10	1.128	5
MTBKHA225X50U	225 x 50	165	183	169.0	146	70	10	1.128	5
MTBKHA225X63U	225 x 63	165	183	169.0	146	70	10	1.128	5



Electro Fusion Fittings

PE-100 PN 12.5 - BRANCH SADDLE U/P

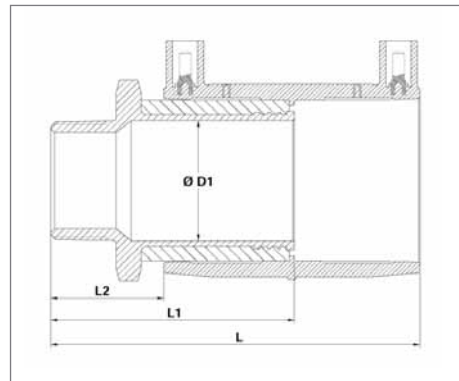
Fitting Code	Fitting Size (mm)	H (mm)	h (mm)	W (mm)	E (mm)	Fusion (secs)	Cooling (mins)	Weight (kgs)	Box (no.)
BBKA40X20U	40 x 20	93	51	103	83	35	5	0.150	10
BBKA40X25U	40 x 25	90	52	103	83	35	5	0.150	10
BBKA40X32U	40 x 32	90	57	103	83	35	5	0.150	10
BBKA63X20U	63 x 20	90	50	122	105	140	10	0.250	10
BBKA63X25U	63 x 25	106	59	122	105	140	10	0.250	10
BBKA63X32U	63 x 32	106	59	122	105	140	10	0.250	10
BBKA63X40U	63 x 40	106	59	122	105	60	10	0.300	10
BBKA36X50U	63 x 50	106	59	122	105	60	5	0.350	10
BBKA63X63U	63 x 63	106	59	122	105	60	5	0.350	10
BBKA90X40U	90 x 40	tbc	tbc	tbc	tbc	tbc	tbc	tbc	tbc
BBKA90X63U	90 x 63	tbc	tbc	tbc	tbc	tbc	tbc	tbc	tbc
BBKA90X90U	90 x 90	124	84	144	154	160	10	0.605	5
BBKA110X90U	110 x 90	121	84	165	180	120	10	0.602	5
BBKA125X90U	125 x 90	114	84	165	180	120	10	0.555	5
BBKA160X90U	160 x 90	110	84	215	236	120	10	1.690	5
BBKA180X90U	180 x 90	100	84	215	236	120	10	1.651	5
BBKA200X90U	200 x 90	115	84	165	263	120	10	4.150	5
BBKA225X90U	225 x 90	113	84	165	271	120	10	4.250	5
BBKA250X90U	250 x 90	120	84	165	317	120	10	4.320	5
BBKA160X110U	160 x 110	131	98	217	236	120	10	1.731	5
BBKA180X110U	180 x 110	121	98	217	236	120	10	1.672	5
BBKA180X125U	180 x 125	121	98	217	236	120	10	1.704	5
BBKA225X125U	225 x 125	123	98	310	327	500	30	6.600	5
BBKA250X125U	250 x 125	110	98	310	327	500	30	7.800	5



Electro Fusion Fittings

PE-100 PN 16 - MALE TRANSITION COUPLER

Fitting Code	Fitting Size	L (mm)	L1 (mm)	L2 (mm)	D1 (mm)	Fusion (secs)	Cooling (mins)	Weight (kgs)	Box (no.)
ZCBKHA25X34	25mm x 3/4"	114	79	34	17	30	3	0.400	50
ZCBKHA32X12	32mm x 1/2"	114	79	34	23	45	3	0.425	50
ZCBKHA32X34	32mm x 3/4"	114	79	34	23	45	3	0.425	50
ZCBKHA32X1	32mm x 1"	114	79	34	23	45	3	0.426	50
ZCBKHA32X114	32mm x 1 1/4"	114	79	34	23	45	3	0.431	50
ZCBKHA32X112	32mm x 1 1/2"	114	79	34	23	45	3	0.431	50
ZCBKHA40X1	40mm x 1"	126	81	34	29	40	3	0.468	50
ZCBKHA40X114	40mm x 1 1/4"	126	83	34	29	40	3	0.468	30
ZCBKHA40X112	40mm x 1 1/2"	126	83	34	29	40	3	0.468	30
ZCBKHA40X2	40mm x 2"	126	88	34	29	40	3	0.471	30
ZCBKHA50X1	50mm x 1"	134	86	34	38	80	3	0.418	30
ZCBKHA50X114	50mm x 1 1/4"	136	88	36	38	80	3	0.548	30
ZCBKHA50X112	50mm x 1 1/2"	136	88	36	38	80	3	0.548	30
ZCBKHA50X2	50mm x 2"	141	93	41	38	80	3	0.569	30
ZCBKHA63X114	63mm x 1 1/4"	154	97	36	48	35	3	0.704	15
ZCBKHA63X112	63mm x 1 1/2"	154	97	36	48	35	3	0.704	15
ZCBKHA63X2	63mm x 2"	159	102	41	48	35	3	0.894	15



Electro Fusion Fittings

PE-100 PN 16 - FEMALE TRANSITION COUPLER

Fitting Code	Fitting Size	L (mm)	L1 (mm)	L2 (mm)	D1 (mm)	Fusion (secs)	Cooling (mins)	Weight (kgs)	Box (no.)
XCBKHA25X34	25mm x 3/4"	106	68	26	17	30	3	0.400	50
XCBKHA32X1	32mm x 1"	106	68	26	23	45	3	0.426	50
XCBKHA40X1	40mm x 1"	116	73	26	29	40	3	0.418	30
XCBKHA40X114	40mm x 1 1/4"	116	73	26	29	40	3	0.418	30
XCBKHA40X112	40mm x 1 1/2"	116	73	26	29	40	3	0.408	30
XCBKHA50X112	50mm x 1 1/2"	126	78	26	38	80	3	0.588	30
XCBKHA5X2	50mm x 2"	126	78	26	38	80	3	0.588	30
XCBKHA63X112	63mm x 1 1/2"	148	91	30	48	35	3	0.924	15
XCBKHA63X2	63mm x 2"	148	91	30	48	35	3	0.894	15

